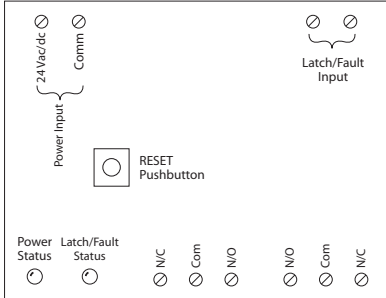


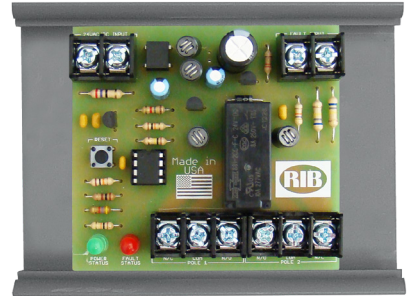
FAN SAFETY ALARM CIRCUIT

RIBMNLB-1

2.75" Track Mount General Purpose Latching Logic Circuit; One Latching/Fault Input (Dry Contact, Class 2); 24 Vac/dc Power Input



- MANUAL RESET
- ONE ALARM OUTPUT
- ONE RELAY OUTPUT



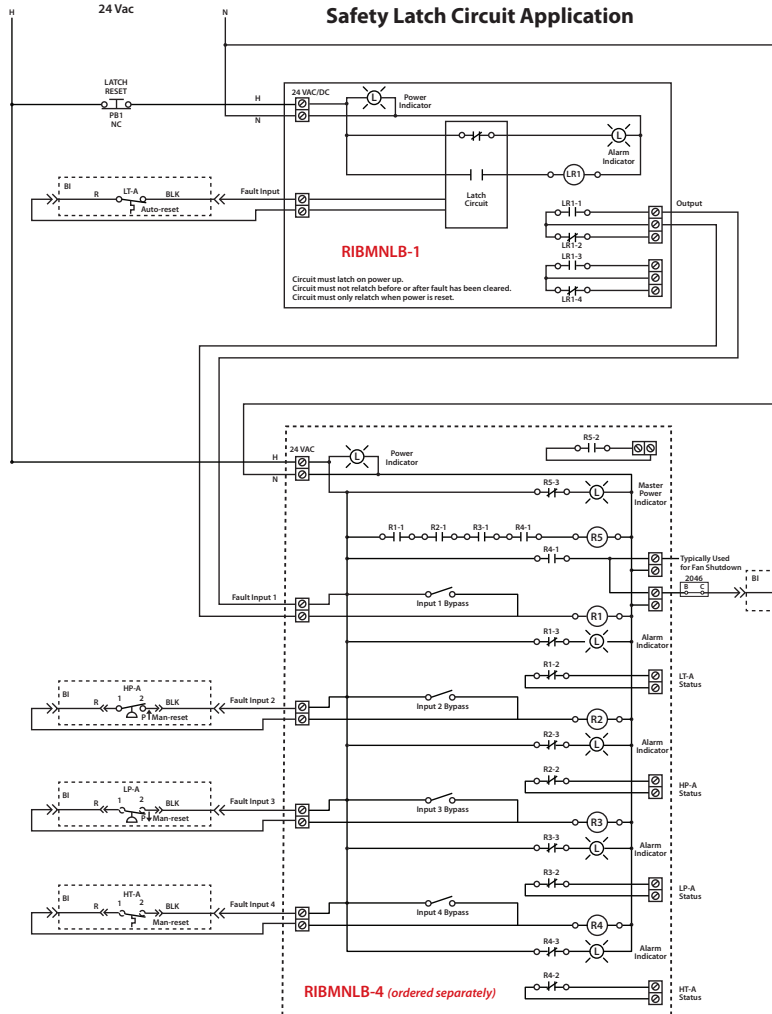
RELAYS

SPECIFICATIONS

- # Relays & Contact Type:** One (1) DPDT Continuous Duty Coil
 - Expected Relay Life:** 10 million cycles minimum mechanical
 - Operating Temperature:** -30 to 140° F
 - Humidity Range:** 5 to 95% (noncondensing)
 - Operate Time:** 8ms
 - Green LED:** Power Status (ON: Power present)
 - Red LED:** Fault Status (ON: Latched/Fault State)
 - Dimensions:** 4.00" x 2.75" x 1.25"
 - Track Mount:** MT212-4 Mounting Track Provided, UL
 - Approvals:** Listed, UL864, C-UL
 - Gold Flash:** No
 - Relay Override Switch:** No
 - Fault Reset Switch:** Yes
- Contact Ratings:**
 10 Amp Resistive @ 30Vdc
 10 Amp General Use @ 277Vac
 1/2 HP @ 120/240Vac (N/O)
 1/3 HP @ 120/240Vac (N/C)
- Power Input Ratings:**
 53 mA @ 24Vac
 25 mA @ 24Vdc
 50/60 Hz

Alarm Fault Application:
 When the Latch/Fault Input is Closed (Normal state), the Relay is activated, and Red LED is Off. When Latch/Fault Input Opens (Alarm state), the Relay deactivates, and Red LED turns On. Until the Latch/Fault Input is Closed AND either power is cycled or the RESET button is pressed, relay will remain in the Alarm state.

- Notes:**
- Fault conditions must last for at least 500 ms in order for the unit to go into Alarm state.
 - Reset signal, whether via pushbutton or power cycling, must last for at least 30 ms in order to reset the device to go from Alarm state to Normal state.



Typical Field Interlock Wiring

